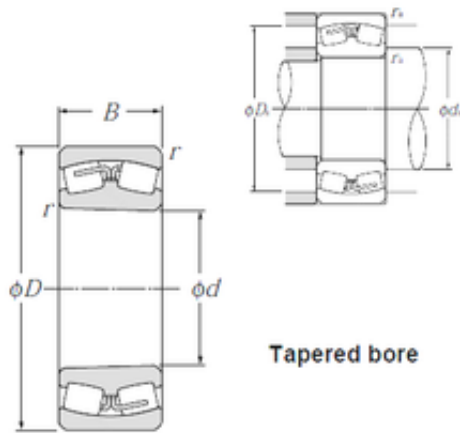




Shanghai Shengjie Bearing Co., Ltd.



630 mm x 850 mm x 165 mm NTN 239/630K Spherical Roller Bearings

Bearing No. 239/630K

239/630K Bearing 2D drawings and 3D CAD models

Size	630x850x165 mm
Bore Diameter	630 mm
Outer Diameter	850 mm
Width	165 mm
d	630 mm
D	850 mm
B	165 mm
C	165 mm
r min.	6 mm
da min.	658 mm
Da max.	822 mm
ra max.	5 mm
Weight	268 Kg
Basic dynamic load rating (C)	3 700 kN
Basic static load rating (C0)	9 250 kN
(Grease) Lubrication Speed	320 r/min
(Oil) Lubrication Speed	420 r/min
Calculation factor (e)	0,18
Calculation factor (Y0)	3,58
Calculation factor (Y1)	3,66