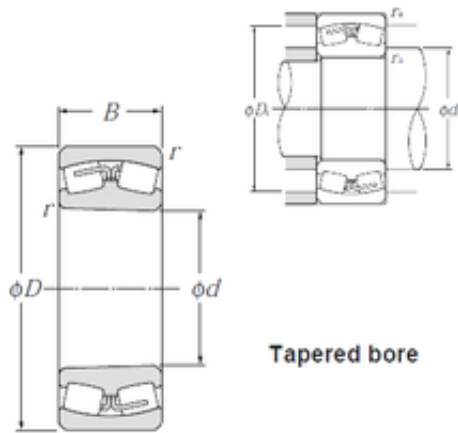




Shanghai Shengjie Bearing Co., Ltd.



360 mm x 650 mm x 232 mm NTN 23272BK Spherical Roller Bearings

Bearing No. 23272BK

23272BK Bearing 2D drawings and 3D CAD models

Size	360x650x232 mm
Bore Diameter	360 mm
Outer Diameter	650 mm
Width	232 mm
d	360 mm
D	650 mm
B	232 mm
C	232 mm
r min.	6 mm
da min.	388 mm
Da max.	622 mm
ra max.	5 mm
Weight	329 Kg
Basic dynamic load rating (C)	4 850 kN
Basic static load rating (C0)	8 700 kN
(Grease) Lubrication Speed	450 r/min
(Oil) Lubrication Speed	590 r/min
Calculation factor (e)	0,36
Calculation factor (Y0)	1,83
Calculation factor (Y1)	1,87
d2	453 mm
D1	551 mm
rs min	6 mm
Number of lubrication holes	8
b	33 mm



Shanghai Shengjie Bearing Co., Ltd.

k	20 mm
Associated sleeve reference	H3272
e	0.36
Y1	1.87
Y2	2.78
Y0	1.83
Radial clearance class	CN
Dynamic load, C	4,850 kN
Static load, C0	8,700 kN
Fatigue limit load, Cu	530 kN
Nref	430 rpm
Nlim	850 rpm
Min operating temperature, Tmin	-40 ° C
Max operating temperature, Tmax	120 ° C
Characteristic cage frequency, FTF	0.43 Hz
Characteristic rolling element frequency, BSF	6.94 Hz
Characteristic outer ring frequency, BPF0	8.2 Hz
Characteristic inner ring frequency, BRFI	10.8 Hz
da min	386 mm
db min	385 mm
Ce min	14 mm
Da max	624 mm
ra max	5 mm
Category	Bearings
Inventory	0.0
Manufacturer Name	NTN
Minimum Buy Quantity	N/A
Weight / Kilogram	329



Shanghai Shengjie Bearing Co., Ltd.

Product Group	
---------------	--

	B04311
--	--------