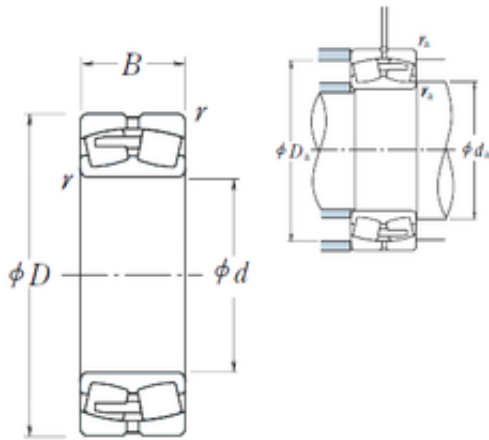




# Shanghai Shengjie Bearing Co., Ltd.



## 560 mm x 1030 mm x 365 mm NSK 232/560CAE4 Spherical Roller Bearing

Bearing No. 232/560CAE4

232/560CAE4 Bearing 2D drawings and 3D CAD models

Size	560x1030x365 mm
Bore Diameter	560 mm
Outer Diameter	1030 mm
Width	365 mm
d	560 mm
D	1030 mm
B	365 mm
C	365 mm
r min.	9,5 mm
da min.	604 mm
Da min	870 mm
Da max.	986 mm
ra max.	8 mm
Weight	1320 Kg
Basic dynamic load rating (C)	10900 kN
Basic static load rating (C0)	20500 kN
(Grease) Lubrication Speed	220 r/min
(Oil) Lubrication Speed	280 r/min
Calculation factor (e)	0,36
Calculation factor (Y0)	1,8
Calculation factor (Y2)	2,8