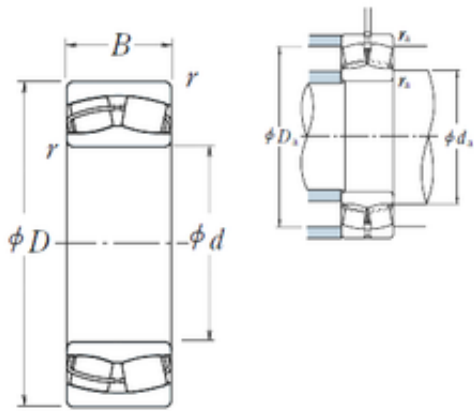




Shanghai Shengjie Bearing Co., Ltd.



180 mm x 320 mm x 86 mm NSK 22236CDE4 Spherical Roller Bearing

Bearing No. 22236CDE4

22236CDE4 Bearing 2D drawings and 3D CAD models

Size	180x320x86 mm
Bore Diameter	180 mm
Outer Diameter	320 mm
Width	86 mm
d	180 mm
D	320 mm
B	86 mm
C	86 mm
r min.	4 mm
da min.	198 mm
da max	212 mm
Da min	278 mm
Da max.	302 mm
ra max.	3 mm
Weight	30,2 Kg
Basic dynamic load rating (C)	1020 kN
Basic static load rating (C0)	1540 kN
(Grease) Lubrication Speed	1100 r/min
(Oil) Lubrication Speed	1300 r/min
Calculation factor (e)	0,26
Calculation factor (Y0)	2,6
Calculation factor (Y2)	3,9
Category	Spherical Roller Bearings
Inventory	0.0
Manufacturer Name	NSK



Shanghai Shengjie Bearing Co., Ltd.

Minimum Buy Quantity	N/A
Weight / Kilogram	30
Product Group	B04311
Internal Clearance	C0-Medium
Mounting Method	Shaft Mount
Rolling Element	Spherical Roller Bearing
Bore Profile	Straight
Cage Material	Steel
Enclosure	Open
Number of Rows of Rollers	Double Row
Relubricatable	Yes
Withdrawal Sleeve	Not Applicable
Inch - Metric	Metric
Long Description	180MM Straight Bore; 320MM Outside Diameter; 86MM Width; C0-Medium Clearance; Shaft Mount; Double Row of Spherical Roller Bearings; Steel Cage Material; Open Enclosure; Relubricatable
Category	Spherical Roller Bearing
UNSPSC	31171510
Harmonized Tariff Code	84823080
Noun	Bearing
Keyword String	Spherical
Manufacturer URL	http://www.nskamericas.com
Manufacturer Item Number	22236CDE4
Weight / LBS	30
Width	3.386 Inch 86 Millimeter
Adapter Part Number	Not Applicable Inch Not Applicable Millimeter
Bore	7.087 Inch 180 Millimeter
Outside Diameter	12.598 Inch 320 Millimeter



Shanghai Shengjie Bearing Co., Ltd.

bore diameter:	180 mm
maximum rpm:	1300 RPM
outside diameter:	320 mm
operating temperature range:	Maximum of +200 ° C
overall width:	86 mm
cage material:	Steel
bore type:	Straight
bearing material:	Steel
outer ring type:	Not Split
cage type:	Inner Ring Guided
internal clearance:	C0
precision rating:	RBEC 1 (ISO Class Normal)
closure type:	Open
finish/coating:	Uncoated
lubrication hole type:	Lubrication Groove & Hole
outer ring width:	86 mm
dynamic load capacity:	1020000 N
fillet radius:	4 mm
static load capacity:	1540000 N
series:	222
Y3	2.6
hidYobi	22236CDE4
LangID	1
Y1	2.6
D_	320
Y2	3.9
Macha rpm	0
B_	86
da min	198
hidTable	ecat_NSSPHR
Oil rpm	1300



Shanghai Shengjie Bearing Co., Ltd.

Y0	2.6
mass	30.2
GRS rpm	1100
ra	3
TSR rpm	2000
C0	1540
DE_	285.882
X0	1
Prod_Type3	SRB_CTB_CB
X1	1
X2	0.67
SIR	33
e	0.26
DA_	35
bomp	22236CDE4
Z_	19
ALP2	40
ALP1	9
ALP3	0
D_a max	302
D_a min	278
yobi	22236CDE4
ALPHA_	0.169
SDM_	251.379
r	4
KBRG	2321
SBRG	22
DI_	216.876