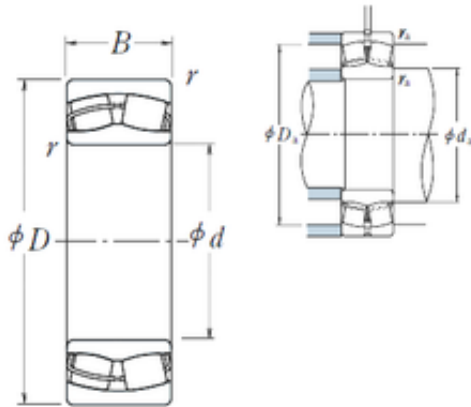




Shanghai Shengjie Bearing Co., Ltd.



160 mm x 270 mm x 86 mm NSK 23132CE4 Spherical Roller Bearing

Bearing No. 23132CE4

23132CE4 Bearing 2D drawings and 3D CAD models

Size	160x270x86 mm
Bore Diameter	160 mm
Outer Diameter	270 mm
Width	86 mm
d	160 mm
D	270 mm
B	86 mm
C	86 mm
r min.	2,1 mm
da min.	172 mm
da max	185 mm
Da min	234 mm
Da max.	258 mm
ra max.	2 mm
Weight	20,3 Kg
Basic dynamic load rating (C)	855 kN
Basic static load rating (C0)	1400 kN
(Grease) Lubrication Speed	1000 r/min
(Oil) Lubrication Speed	1300 r/min
Calculation factor (e)	0,3
Calculation factor (Y0)	2,2
Calculation factor (Y2)	3,4
Category	Spherical Roller Bearings
Inventory	0.0
Manufacturer Name	NSK



Shanghai Shengjie Bearing Co., Ltd.

Minimum Buy Quantity	N/A
Weight / Kilogram	20.53
Product Group	B04311
Internal Clearance	C0-Medium
Mounting Method	Shaft Mount
Rolling Element	Spherical Roller Bearing
Bore Profile	Straight
Cage Material	Steel
Enclosure	Open
Number of Rows of Rollers	Double Row
Relubricatable	Yes
Withdrawal Sleeve	Not Applicable
Inch - Metric	Metric
Long Description	160MM Straight Bore; 270MM Outside Diameter; 86MM Width; C0-Medium Clearance; Shaft Mount; Double Row of Spherical Roller Bearings; Steel Cage Material; Open Enclosure; Relubricatable
Category	Spherical Roller Bearing
UNSPSC	31171510
Harmonized Tariff Code	84823080
Noun	Bearing
Keyword String	Spherical
Manufacturer URL	http://www.nskamericas.com
Manufacturer Item Number	23132CE4
Weight / LBS	20.53
Outside Diameter	10.63 Inch 270 Millimeter
Bore	6.299 Inch 160 Millimeter
Adapter Part Number	Not Applicable Inch Not Applicable Millimeter
Width	3.386 Inch 86 Millimeter



Shanghai Shengjie Bearing Co., Ltd.

bore diameter:	160 mm
maximum rpm:	1300 RPM
outside diameter:	270 mm
operating temperature range:	Maximum of +200 ° C
overall width:	86 mm
cage material:	Steel
bore type:	Straight
bearing material:	Steel
outer ring type:	Not Split
cage type:	Inner Ring Guided
internal clearance:	C0
precision rating:	RBEC 1 (ISO Class Normal)
closure type:	Open
finish/coating:	Uncoated
lubrication hole type:	Lubrication Groove & Hole
outer ring width:	86 mm
dynamic load capacity:	855000 N
fillet radius:	2.1 mm
static load capacity:	1400000 N
series:	231
Y3	2.3
hidYobi	23132CE4
LangID	1
Y1	2.3
D_	270
Y2	3.4
Macha rpm	0
B_	86
da min	172
hidTable	ecat_NSSPHR
Oil rpm	1300



Shanghai Shengjie Bearing Co., Ltd.

Y0	2.2
mass	20.3
GRS rpm	1000
ra	2
TSR rpm	2000
C0	1400
DE_	243.305
X0	1
Prod_Type3	SRB_CTB_CB
X1	1
X2	0.67
SIR	34
e	0.3
DA_	27
bomp	23132CE4
Z_	21
ALP2	10
ALP1	11
ALP3	0
D_a max	258
D_a min	234
yobi	23132CE4
ALPHA_	0.195
SDM_	216.816
r	2.1
KBRG	2322
SBRG	31
DI_	190.327