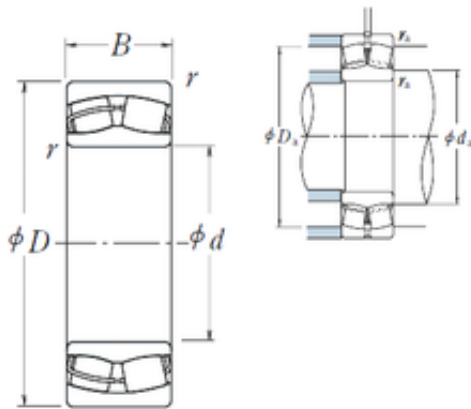




Shanghai Shengjie Bearing Co., Ltd.



150 mm x 270 mm x 73 mm NSK 22230CDE4 Spherical Roller Bearing

Bearing No. 22230CDE4

22230CDE4 Bearing 2D drawings and 3D CAD models

Size	150x270x73 mm
Bore Diameter	150 mm
Outer Diameter	270 mm
Width	73 mm
d	150 mm
D	270 mm
B	73 mm
C	73 mm
r min.	3 mm
da min.	164 mm
da max	179 mm
Da min	236 mm
Da max.	256 mm
ra max.	2,5 mm
Weight	18,4 Kg
Basic dynamic load rating (C)	765 kN
Basic static load rating (C0)	1120 kN
(Grease) Lubrication Speed	1300 r/min
(Oil) Lubrication Speed	1600 r/min
Calculation factor (e)	0,26
Calculation factor (Y0)	2,5
Calculation factor (Y2)	3,9
Category	Spherical Roller Bearings
Inventory	0.0
Manufacturer Name	NSK



Shanghai Shengjie Bearing Co., Ltd.

Minimum Buy Quantity	N/A
Weight / Kilogram	18.2
Product Group	B04311
Internal Clearance	C0-Medium
Mounting Method	Shaft Mount
Rolling Element	Spherical Roller Bearing
Bore Profile	Straight
Cage Material	Steel
Enclosure	Open
Number of Rows of Rollers	Double Row
Relubricatable	Yes
Withdrawal Sleeve	Not Applicable
Inch - Metric	Metric
Long Description	150MM Straight Bore; 270MM Outside Diameter; 73MM Width; C0-Medium Clearance; Shaft Mount; Double Row of Spherical Roller Bearings; Steel Cage Material; Open Enclosure; Relubricatable
Category	Spherical Roller Bearing
UNSPSC	31171510
Harmonized Tariff Code	84823080
Noun	Bearing
Keyword String	Spherical
Manufacturer URL	http://www.nskamericas.com
Manufacturer Item Number	22230CDE4
Weight / LBS	18.2
Outside Diameter	10.63 Inch 270 Millimeter
Bore	5.906 Inch 150 Millimeter
Width	2.874 Inch 73 Millimeter
Adapter Part Number	Not Applicable Inch Not Applicable Millimeter



Shanghai Shengjie Bearing Co., Ltd.

bore diameter:	150 mm
maximum rpm:	1600 RPM
outside diameter:	270 mm
operating temperature range:	Maximum of +200 ° C
overall width:	73 mm
cage material:	Steel
bore type:	Straight
bearing material:	Steel
outer ring type:	Not Split
cage type:	Inner Ring Guided
internal clearance:	C0
precision rating:	RBEC 1 (ISO Class Normal)
closure type:	Open
finish/coating:	Uncoated
lubrication hole type:	Lubrication Groove & Hole
outer ring width:	73 mm
dynamic load capacity:	765000 N
fillet radius:	3 mm
static load capacity:	1120000 N
series:	222
Y3	2.6
hidYobi	22230CDE4
LangID	1
Y1	2.6
D_	270
Y2	3.9
Macha rpm	0
B_	73
da min	164
hidTable	ecat_NSSPHR
Oil rpm	1600



Shanghai Shengjie Bearing Co., Ltd.

Y0	2.5
mass	18.4
GRS rpm	1300
ra	2.5
TSR rpm	2400
C0	1120
DE_	242.386
X0	1
Prod_Type3	SRB_CTB_CB
X1	1
X2	0.67
SIR	28
e	0.26
DA_	30
bomp	22230CDE4
Z_	19
ALP2	50
ALP1	9
ALP3	0
D_a max	256
D_a min	236
yobi	22230CDE4
ALPHA_	0.172
SDM_	212.827
r	3
KBRG	2321
SBRG	22
DI_	183.267